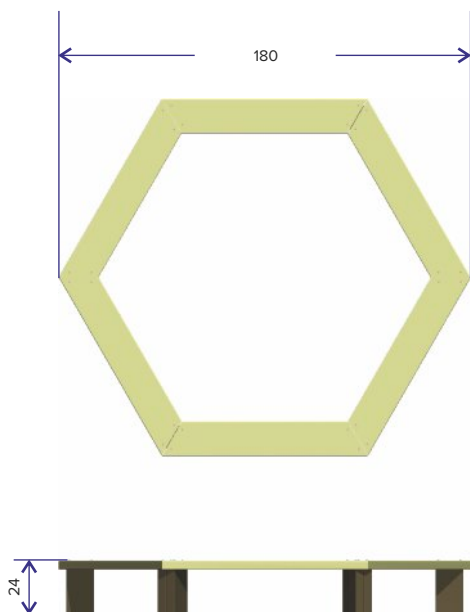


According to EN1176, this bench is not considered as being a play equipment. Therefore, a TÜV-certificate is not required.

Description

The hexagonal bench consists of 6 benches, which are to be fixed together in a hexagonal shape. Every bench consists of a beige coloured seat and 2 brown legs. The seat is made of a plank 4 x 15 x 90 cm, cut at both ends at 30°. At both ends, a leg of 4 x 12 x 20 cm is being fixed by means of stainless steel screws. Both plank and legs have rounded edges (radius 5 mm).

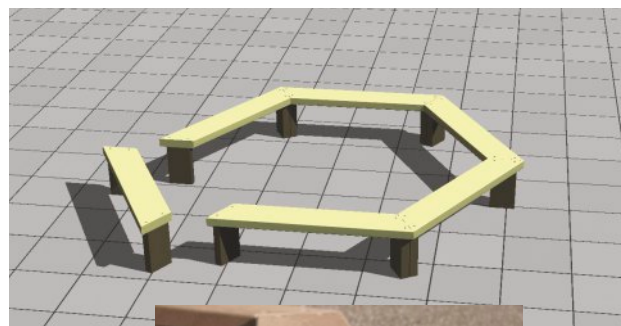


Material

- Solid boards made from recycled plastic (PE), coloured throughout (brown and beige),
- Stainless steel screws (6 mm)

Installation

The Bench Mini Hexagonal consists of 6 benches, pre-assembled, to be fixed using stainless steel screws (type Torx). Anchorage is possible but not requested.

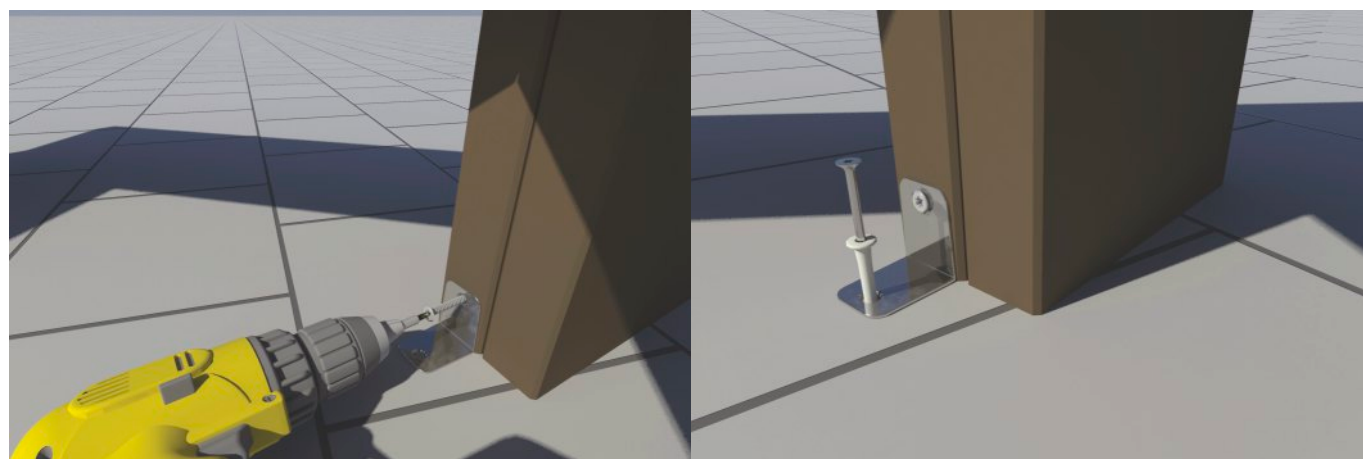
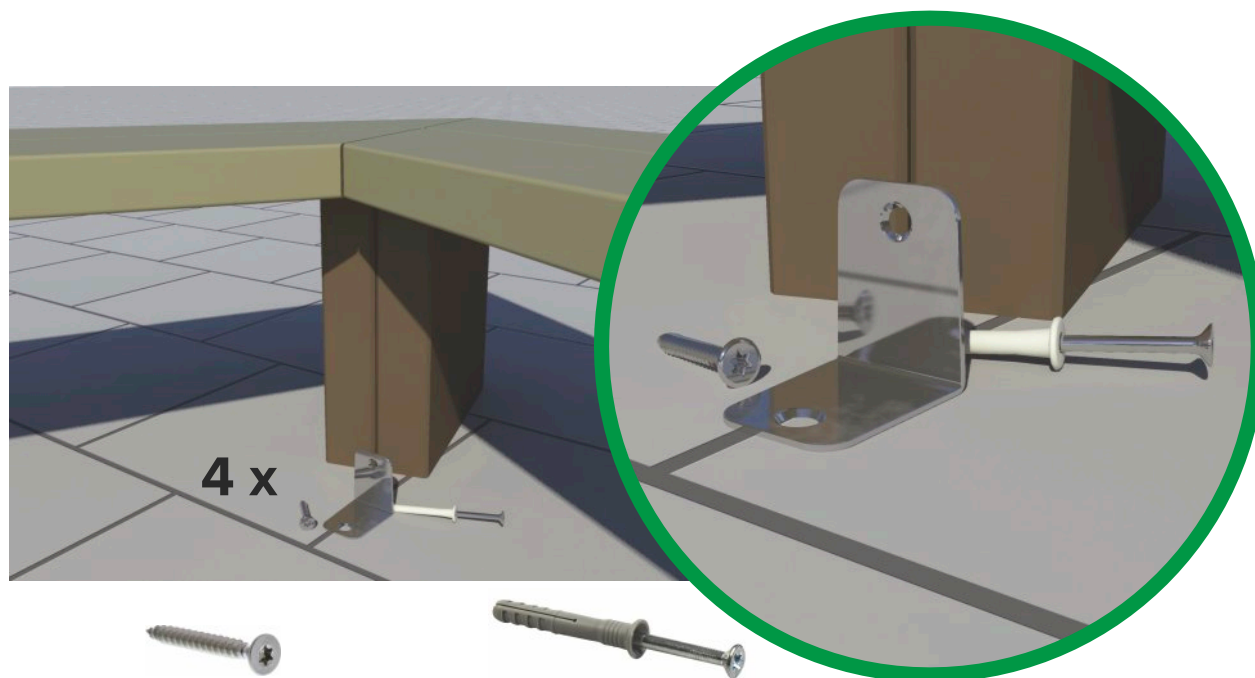


Anchorage (option)

Anchorage is not requested when supervision is guaranteed.

Anchorage is done by fixing the bench legs to the ground by means of brackets and nail plugs. Before screwing, pre-drilling with wood drill bite of 4 mm is recommended.

The holes for the nail plugs are to be drilled with a stone drill bit of 8 mm.



Important suggestion

To drill the holes in the ground, use a sharp drill and just put the plastic plug into the hole. It is better to screw the nail into the plug than to hammer. This way, you don't damage the head of the nail and unfixing will be easy.